

EnergyPilot Series

V DG-EM-1



BUILT-IN LOCAL EMS

Local EMS with edge computing capabilities



WIRELESS COMMUNICATION

Supports Wi-Fi communication protocol for remote data transmission and monitoring



REAL-TIME MONITORING

Monitors electricity usage in real-time, tracking data such as energy consumption, power, and frequency



REMOTE CONTROL

Enables remote on/off control, power adjustment, and energy management via VIP Cloud



HIGH-PRECISION METERING

Accurately measures energy consumption, ensuring precise data and reliable performance



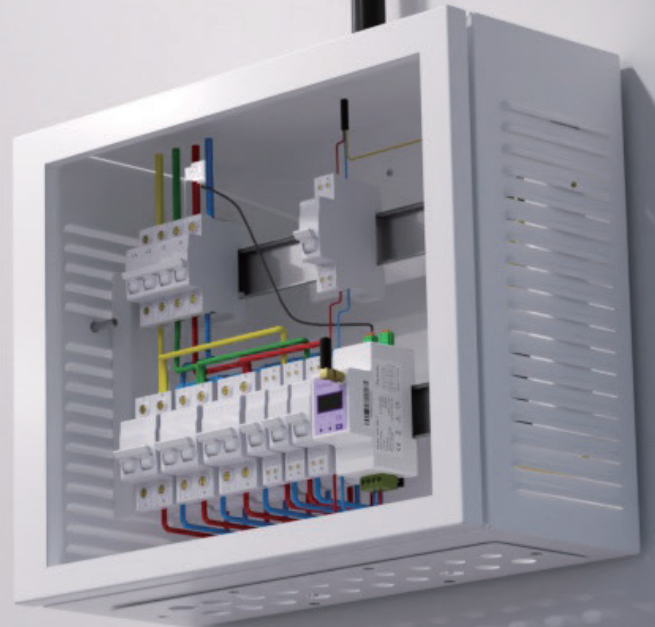
SMART ANALYSIS

Monitors and optimizes electricity usage, helping users save energy and reduce electricity costs



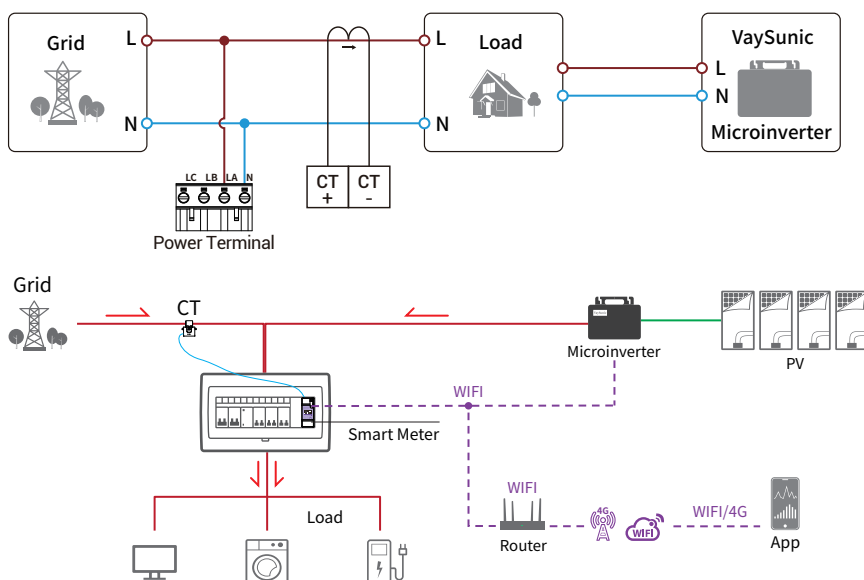
EASY INSTALLATION

No wiring required, easy to install suitable for various application scenarios



Model		VDG-EM-1
Power Supply		
Power grid type		1P2W
Rated Voltage (V)		220 / 230 / 400V
Operating Voltage (Un)		0.8 ~ 1.2Un
Current (A)		5A (100)
Frequency (Hz)		50 / 60Hz
Power consumption (W)		≤1.1W
Measurement Range		
Phase voltage (Vac)		176 ~ 264V
Current (A)		0.02 ~ 100A
Measurement Accuracy		
Voltage		± 1%
Current / Power / Energy		± 1%
Frequency (Hz)		± 2.5
Communication		
Interface		RS485
Baud rate (bps)		9,600
Communication protocol		Modbus-RTU
Integrated Wi-Fi		802.11 b/g/n, 2.4 GHz
Environment		
Operating temperature range (°C)		-20 to +60°C
Storage temperature range (°C)		-40 to +85°C
Relative humidity		5 ~ 85%, No Condensing
Max. operation altitude (m)		3000m
Dimensions (W x D x H mm)		36 × 64 × 87 (Excluding antenna)
Weight (g)		108.5g
Monitoring		VIP Cloud
Display		OLED; LED Indicators; APP
Accessories		CT 100A / 33.3mA (2m)

© 2025 All Rights Reserved Specifications subject to change without notice.
info@VaySonic.com



VIP Cloud

Supports Multiple Device Integration
Compatible with Enphase, APsystems, Hoymiles and other photovoltaic equipment, forming a complete smart energy management system with VIP Cloud